

DISTINCT PRODUCTS



EXPERIENCES THAT MATTER

Striving
to be
**#1 IN PATIENT
SATISFACTION**

THE SALTER PROMISE

Salter Labs offers an innovative, best-in-class portfolio of healthcare solutions that enhance the patient experience.

We're building a bold new future focusing on superior patient care, reliable outcomes, and innovative new products throughout the continuum of care.

In everything we do...

We collaborate with you, developing products that make a difference and add value. Delivering experiences that matter for both patients and healthcare providers worldwide.

 **SALTER LABS**[®]
DESIGN INNOVATIONS
FOR RESPIRATORY CARE



TABLE OF CONTENTS

OXYGEN DELIVERY

A1-A35

AEROSOL DELIVERY

B1-B15

SECUREMENT

C1-C9

CAPNOGRAPHY (EtCO₂)

D1-D13

PRODUCT INDEX BY ITEM NUMBER

F1-F8



OXYGEN DELIVERY

Cannulas	A2
Adult	A4
Adult Specialty	A12
Pediatric and Infant	A16
Tubing and Connectors	A19
Securement	A23
Humidifiers and Water Traps	A26
Bubble	A26
High Flow	A26
Connector Tubing	A27
Inline Water Traps	A27
Oxygen Masks	A28
Adult	A29
Pediatric	A30
Percent-O ₂ -Lock® Venturi	A32
Accu-Flow® Venturi	A33
Concentrator Oxygen Indicators	A34

CANNULA OPTIONS FROM SALTER

Salter cannulas provide real patient comfort and convenience. Unique features set them apart, while providing patients with many facets they quickly find unique and satisfying. They are designed for people who wear cannulas all day long and deserve a cannula that works, is comfortable, and fits each person's lifestyle.

Over the years, Salter Labs has established a reputation for quality performance in cannulas that is unmatched and expected. Our customers have come to rely on Salter, and are rarely disappointed. You'll find the range of Salter products and offerings today gives you the choice to perfectly match the cannula to the patient...precisely.

You can expect Salter cannulas to provide:

- Curved, tapered nasal prongs
- Comfortably shaped facepieces
- Lightweight feel
- Twist-resisting slide bolo
- Quality and wearability



Match our cannulas to your needs

STANDARD

DEMAND

A5

A9

Flow rates

Up to 3 LPM

Up to 6 LPM

Up to 8 LPM

Up to 15 LPM

Up to 6 LPM

Adults

A13, A14

A5, A13

A13, A15

A10

A9

Pediatric

A17

A17

A18

Tubing style

3-channel

Smooth-bore

Smooth-bore

A6, A10, A11,
A13, A14, A20

A8, A11, A13

A9

Features

Micro-facepiece

Thread grip

Non-flared tips

Separate

Both

A14

A21

A11

A9

A9

Masks

Adult

Pediatric

Venturi System
Percent O₂

Venturi System
Accu-Flow®

A29

A16, A30

A32

A33

Add-ons

Tubing

Connectors

Humidifiers

Securement

A6

A22

A25

A23

Premium items

TLC

Quiet-flow

High flow

16SOFT

A12, A18

A15, A18

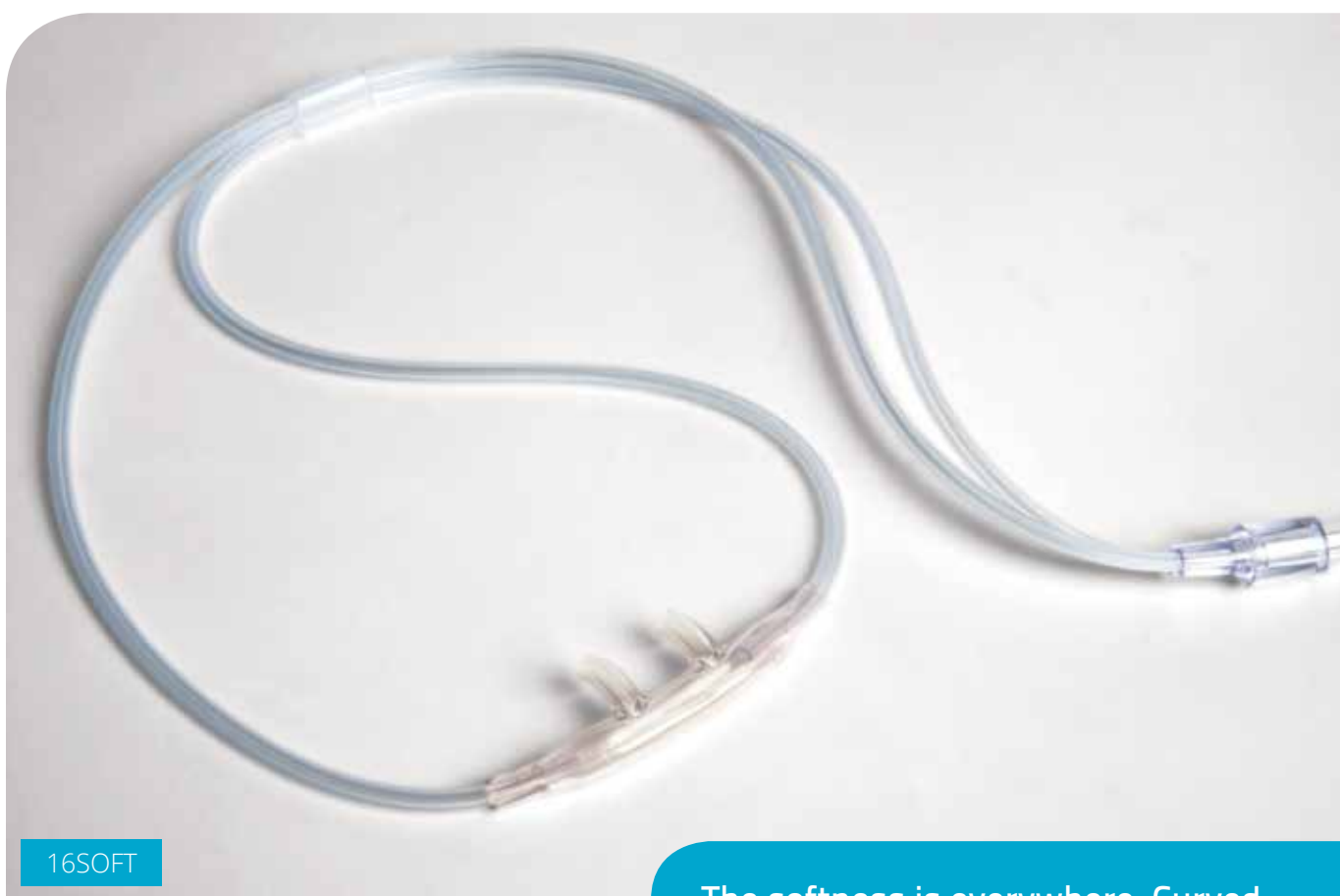
A10

A4

ADULT CANNULAS

16SOFT Cannula

Designed to deliver comfort with soft material in both the tubing and facepiece for a soft-to-the-touch feel throughout.



The softness is everywhere. Curved, comfortable prongs fit gently into patients' nostrils without pressing too hard upon the upper lip. Soft, pliable, stretchable tubing curves around the cheeks and ears, lessening any pressure. And the Salter 16SOFT features a totally redesigned slide bolo to resist twisting and turning.

Adult soft cannulas with 3-channel safety supply tubing for low flow rates up to 6 LPM

Description	Units per case	Item number
Without O₂ supply line	50	16SOFT-0-50
2' O ₂ supply line	50	16SOFT-2-50
4' O₂ supply line	50	16SOFT-4-50
7' O₂ supply line	50	16SOFT-7-50
14' O₂ supply line	50	16SOFT-14-50
25' O₂ supply line	25	16SOFT-25-25

Description	Units per case	Item number
16SOFT soft cannula with 7' soft 3-channel safety tubing for high flows up to 15 LPM	25	16SOFT-HF-7-25
16SOFT soft cannula with 14' soft 3-channel safety tubing for high flows up to 15 LPM	25	16SOFT-HF-14-25
16SOFT soft cannula with 25' soft 3-channel safety tubing for high flows up to 15 LPM	10	16SOFT-HF-25-10

You may also consider:

Description	Units per case	Item number
25' green O ₂ supply line	25	2025G-25-25
Swivel connector for attaching tubing and avoiding kinks	25	1220-0-25
Tender Grip® stickers for comfortably securing cannulas to skin	100	1006-0-100

Our most popular models are indicated by **Salter Green** throughout this catalog.

Original Salter-Style® Cannula

For oxygen flows up to 6 LPM with the Salter-Style® curved facepiece that patients have preferred for over 25 years.

1600-Series Salter-Style cannulas with 3-channel safety supply tubing for low flow volumes up to 6 LPM

Description	Units per case	Item number
Without O ₂ supply line	50	1606-0-50
Without O ₂ supply line and with green barbed end fitting	50	1606B-0-50
1' O₂ supply line	50	1600-1-50
4' O₂ supply line	50	1600-4-50
7' O₂ supply line	50	1600-7-50
7' O ₂ supply line with female thread grip connector	50	1699-7-50
9' O ₂ supply line	50	1600-9-50
10' O ₂ supply line	50	1600-10-50
12' O ₂ supply line	50	1600-12-50
13' O ₂ supply line	50	1600-13-50
14' O₂ supply line	50	1600-14-50
15' O ₂ supply line	50	1600-15-50
16' O ₂ supply line	50	1600-16-50
20' O ₂ supply line	25	1600-20-25
21' O ₂ supply line	25	1600-21-25
24' O ₂ supply line	25	1600-24-25
25' O₂ supply line	25	1600-25-25
30' O ₂ supply line	20	1600-30-20
35' O ₂ supply line	20	1600-35-20
40' O ₂ supply line	20	1600-40-20
50' O ₂ supply line	20	1600-50-20



1600

You may also consider:

Description	Units per case	Item number
Salter TLCannula™ with cushioned ear wraps and 4' O ₂ supply line	25	1600TLC-4-25
Salter TLCannula with cushioned ear wraps and 7' O ₂ supply line	25	1600TLC-7-25
25' green O ₂ supply line	25	2025G-25-25
50' green O ₂ supply line	20	2050G-50-20
Swivel connector for attaching tubing and avoiding kinks	100	1220-0-100
Tender Grip® stickers for comfortably securing cannulas to skin	100	1006-0-100

Our most popular models are indicated by **Salter Green** throughout this catalog.

Original Salter-Style® Cannula (continued)

1600-Series Salter-Style cannulas with smooth-bore supply tubing for low flow volumes up to 6 LPM

Description	Units per case	Item number
4' O ₂ supply line	50	1650-4-50
7' O ₂ supply line	50	1650-7-50
10' O ₂ supply line	50	1650-10-50
14' O ₂ supply line	50	1650-14-50
25' O ₂ supply line	25	1650-25-25
50' O ₂ supply line	20	1650-50-20

Demand Cannulas

Specifically designed for Dual Port Oxygen Conservation Delivery systems in a full range of sizes and flow rates up to 6 LPM.



4907

Adult demand cannulas with sense and delivery in each nare and smooth-bore supply tubing

Description	Units per case	Item number
4' O₂ supply line	25	4904-4-4-25
5' O ₂ supply line	25	4905-5-5-25
7' O₂ supply line	25	4907-7-7-25

Adult demand cannulas with sense and delivery in separate nares and smooth-bore supply tubing

Description	Units per case	Item number
4' O₂ supply line	25	4804-4-4-25
5' O ₂ supply line	25	4805-5-5-25
7' O₂ supply line	25	4807-7-7-25

Our most popular models are indicated by **Salter Green** throughout this catalog.

High Flow Cannula

For oxygen flows up to 15 LPM where patients prefer comfort and convenience instead of a mask (includes bright green O₂ supply line).



Salter-Style high flow cannulas with 3-channel safety supply tubing for high flow volumes up to 15 LPM

Description	Units per case	Item number
4' O ₂ supply line	25	1600HF-4-25
7' O₂ supply line	25	1600HF-7-25
14' O₂ supply line	25	1600HF-14-25
25' O₂ supply line	10	1600HF-25-10
50' O ₂ supply line	10	1600HF-50-10

You may also consider:

16SOFT soft cannula with 7' soft 3-channel safety tubing for high flows up to 15 LPM	25	16SOFT-HF-7-25
High flow 350cc dry bubble humidifier for flows from 6-15 LPM	25	7900-0-25
High flow convenience kit with one 7' high-flow soft cannula and one 7900 high flow humidifier	25	79SOFT-7-25

Conventional-Style Cannulas

For oxygen flows up to 6 LPM and features non-flared tips with adjustable tubing.



1056

Conventional-style cannulas with 3-channel safety supply tubing for low flow volumes up to 6 LPM

Description	Units per case	Item number
Without O ₂ supply line	50	1057-0-50
7' O ₂ supply line	50	1053-7-50
16' O ₂ supply line	50	1063-16-50

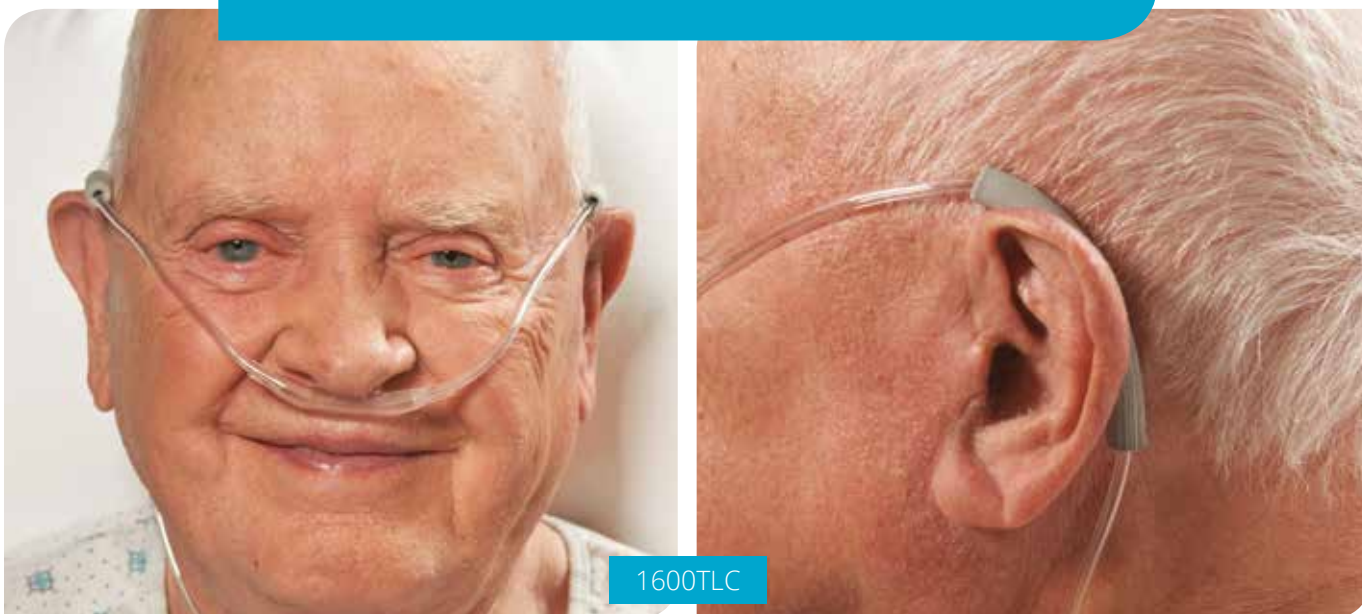
Conventional-style cannulas with smooth-bore supply tubing for low flow volumes up to 6 LPM

Description	Units per case	Item number
7' O ₂ supply line	50	1056-7-50
16' O ₂ supply line	50	1068-16-50

Our most popular models are indicated by **Salter Green** throughout this catalog.

ADULT SPECIALTY CANNULAS

Cannulas with added comfort. Cannulas for very low oxygen flows, or very high. Or somewhere in between. Salter takes great pride in offering a wide range of options for home and hospital use. After all, no two patients are alike. And every treatment situation is unique.



Salter-Style® TLCannulas™

For relief of pressure above the ears by using soft, adjustable, closed-cell foam cushions for “over-the-ear” comfort and wearability.

Salter-Style TLCannulas with closed-cell foam cushions and 3-channel safety supply tubing for flow rates up to 6 LPM

Description	Units per case	Item number
Without O ₂ supply line	25	1606TLC-0-25
1' O ₂ supply line	25	1600TLC-1-25
4' O₂ supply line	25	1600TLC-4-25
7' O₂ supply line	25	1600TLC-7-25
7' O ₂ supply line and female thread grip connector	25	1699TLC-7-25
14' O ₂ supply line	25	1600TLC-14-25
15' O ₂ supply line	25	1600TLC-15-25
21' O ₂ supply line	25	1600TLC-21-25
25' O ₂ supply line	25	1600TLC-25-25

Salter-Style TLCannulas with closed-cell foam cushions, 3-channel safety supply tubing, and Micro facepieces for flows up to 3 LPM

Description	Units per case	Item number
7' O ₂ supply line	25	1616TLC-7-25

Salter-Style TLCannulas with closed-cell foam cushions, 3-channel safety supply tubing, and Quiet facepieces to virtually eliminate noise for flows up to 8 LPM

Description	Units per case	Item number
7' O ₂ supply line	25	1600QTLC-7-25

Salter-Style TLCannulas with closed-cell foam cushions, smooth-bore supply tubing, and Demand facepieces for flows up to 6 LPM

Description	Units per case	Item number
4' O ₂ supply line	25	4804TLC-4-4-25
7' O ₂ supply line	25	4807TLC-7-7-25

Our most popular models are indicated by **Salter Green** throughout this catalog.

Micro Cannula

With a smaller facepiece for improved comfort and appearance for patients who only require flows up to 3 LPM.



1616

Micro cannulas with 3-channel safety tubing for low flow volumes up to 3 LPM

Description	Units per case	Item number
1' O ₂ supply line	50	1616-1-50
4' O ₂ supply line	50	1616-4-50
7' O₂ supply line	50	1616-7-50

Quiet Cannula

For oxygen flows up to 8 LPM and features a larger reservoir that virtually eliminates noise.



Salter-Style Quiet cannulas with noise-reducing facepiece and 3-channel safety tubing for flows up to 8 LPM

Description	Units per case	Item number
Without O ₂ supply line	50	1606Q-0-50
4' O ₂ supply line	50	1600Q-4-50
7' O₂ supply line	50	1600Q-7-50

Our most popular models are indicated by **Salter Green** throughout this catalog.

PEDIATRIC AND INFANT CANNULAS

It's not enough to take an adult cannula and just make it smaller. Salter pediatric cannulas are specifically designed for kids, especially babies and infants who like to squirm and aren't very happy with plastic tubing on their cheeks. With Salter, you can rest assured that comfort and a gentle, secure fit are designed into every pediatric cannula.



1610 Premature

Smaller Salter-Style® Cannulas

For oxygen flows up to 3 LPM and 6 LPM, and one-piece anatomical design for secure positioning as well as patient comfort and freedom.

Standard pediatric cannulas with Salter-Style curved facepiece and 3-channel safety supply tubing

Description	Units per case	Item number	Maximum LPM
Premature with 7' O₂ supply line	50	1610-7-50	3 LPM
Neonate with 7' O₂ supply line	50	1611-7-50	3 LPM
Infant with 4' O ₂ supply line	50	1601-4-50	3 LPM
Infant with 7' O₂ supply line	50	1601-7-50	3 LPM
Intermediate infant with 7' O ₂ supply line	50	1615-7-50	3 LPM
Pediatric without O ₂ supply line	50	1662-0-50	6 LPM
Pediatric/small adult with 4' O ₂ supply line	50	1602-4-50	6 LPM
Pediatric/small adult with 7' O₂ supply line	50	1602-7-50	6 LPM
Pediatric/small adult with 7' O ₂ supply line and female thread grip connector	50	1602TG-7-50	6 LPM



1611 Neonate



1601 Infant



1602 Pediatric/small adult



1615 Intermediate infant



1662 Pediatric

Our most popular models are indicated by **Salter Green** throughout this catalog.

CANNULAS

PEDIATRIC AND INFANT

Smaller Salter-Style® Cannulas (continued)

You may also consider:

Description	Units per case	Item number
25' green O ₂ supply tubing	25	2025G-25-25
50' green O ₂ supply tubing	20	2050G-50-20
Swivel connector for attaching tubing and avoiding kinks	100	1220-0-100
Mini-Whiskers Securement Device exclusively for early-premature infants (<2000 g) 6 – 0.5" x 1.4" per pouch, including 12 securement loops	20 pouches per box	MW100-0-120
Sticky Whiskers Securement Device one size fits all for infants (<2000 g) 1 – 0.436" x 3.5" per pouch, including 2 securement loops	Box of 25	SW102-0-25
Tender Grips skin fixation system	25 pairs	1005-0-25
Tender Grips skin fixation system	100 pairs	1006-0-100

Pediatric/Small adult cannulas with TLCannula ear cushions to relieve pressure above the ears and 3-channel safety tubing for low flows up to 6 LPM

Description	Units per case	Item number	Maximum LPM
7' O ₂ supply line	25	1602TLC-7-25	6 LPM

Pediatric/Small adult cannulas with Quiet facepiece to virtually eliminate noise and 3-channel safety tubing for low flows up to 6 LPM

Description	Units per case	Item number	Maximum LPM
7' O ₂ supply line	50	1601Q-7-50	6 LPM

Pediatric/Small adult Demand cannulas with Salter-Style facepieces and 3-channel safety tubing for low flows up to 6 LPM

Description	Units per case	Item number	Maximum LPM
4' O ₂ supply line	25	4824-4-4-25	6 LPM
7' O ₂ supply line	25	4827-7-7-25	6 LPM

CANNULA TUBING AND CONNECTORS



2025

Patient satisfaction doesn't start and stop with the cannula by itself. Salter design teams consider every aspect, especially the practical ones like mobility, safety, and appearance. So Salter offers innovations in tubing and connectors you'll find often imitated. But nothing compares to the original.

Oxygen Delivery Tubing

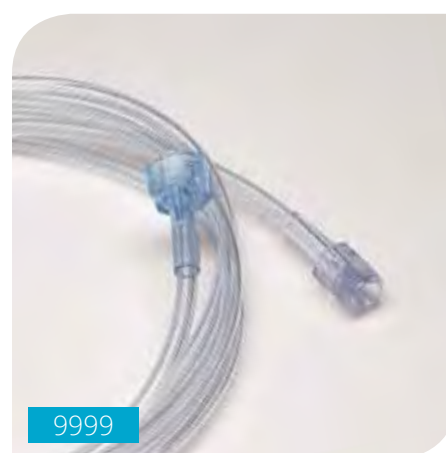
Salter's innovative 3-channel safety tubing is designed to maintain an uninterrupted flow of oxygen (O₂), including our patented tubing end fitting. But that's just the beginning of what Salter offers.

Oxygen supply tubing

Description	Units per case	Item number	Smooth-bore Clear	Safety channel Green
4' oxygen supply tubing	50	2004-4-50	—	—
7' oxygen supply tubing	50	2002-7-50	2503-7-50	2002G-7-50
9' oxygen supply tubing	50	2009-9-50	2509-9-50	—
10' oxygen supply tubing	50	2010-10-50	—	2010G-10-50
14' oxygen supply tubing	50	2014-14-50	2514-14-50	2014G-14-50
15' oxygen supply tubing	50	2015-15-50	—	2015G-15-50
20' oxygen supply tubing	25	2020-20-25	—	2020G-20-25
21' oxygen supply tubing	25	2021-21-25	2521-21-25	2021G-21-25
25' oxygen supply tubing	25	2025-25-25	2525-25-25	2025G-25-25
30' oxygen supply tubing	20	2030-30-20	2530-30-20	—
35' oxygen supply tubing	20	2035-35-20	—	2035G-35-20
40' oxygen supply tubing	20	2040-40-20	2540-40-20	2040G-40-20
50' oxygen supply tubing	20	2050-50-20	2550-50-20	2050G-50-20
100' oxygen supply tubing	10	2100-100-10	—	—

CANNULAS

TUBING AND CONNECTORS



Oxygen supply tubing with thread grips

Description	Units per case	Item number
7' tubing with one molded connector end and one female thread grip end	50	2099-7-50
7' tubing with female thread grip on both ends	50	9997-7-50
7' tubing with one male thread grip end and one female thread grip end	50	9999-7-50

Our most popular models are indicated by **Salter Green** throughout this catalog.

CANNULAS

TUBING AND CONNECTORS

Oxygen Tubing Connectors

Where flexible configurations are needed and patient safety is a concern, Salter gives you several options.



1220



1225



1215

Swivel tubing connectors

Description	Units per case	Item number
Oxygen tubing swivel connector	25	1220-0-25
Oxygen tubing swivel connector	100	1220-0-100
Male/female swivel connector	25	1225-0-25

Supply Tubing Connectors With Clips

A simple, easy-to-use way to secure Salter tubing to bedding or clothing and reduce any pull or twisting. Adds to patients' convenience and mobility, and is available in two versions.

Description	Units per case	Item number
Universal clip—for use with most fabrics	25	1221-0-25
Delicate clip—for use with delicate fabrics	25	1222-0-25

Standard tubing connectors

Description	Units per case	Item number
Oxygen tubing static connector	50	1215-0-50
2" oxygen tubing connector	50	2005-0-50

CANNULA SECUREMENT

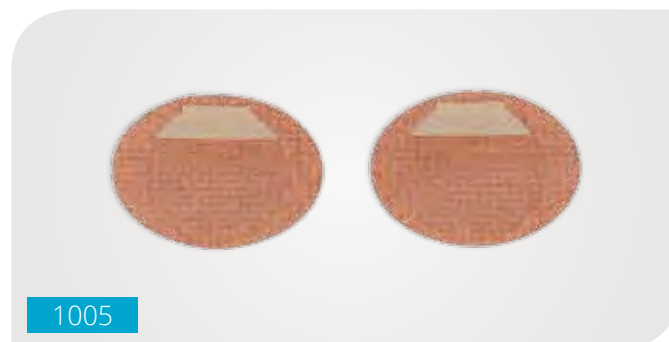


Time-consuming adjustments...
Patient complaints over comfort...
Inconvenient for home use...

You've heard all the comments. And so have we. So Salter introduced several add-on features to help address these situations. With patient satisfaction as our #1 goal, you may find these Salter products most helpful for many day-to-day concerns.

Tender Grips®

Designed to hold the Salter cannula head tubing and facepiece in position, this unique skin fixation system was developed for easy application and comfortable use. It allows the skin to breathe, leaving no messy residue.



1005

Description	Units per case	Item number
Tender Grip fixation system	25 pairs	1005-0-25
Tender Grip fixation system	100 pairs	1006-0-100

High Flow Cannulaide Clear™ Securement Device for Pediatric and Neonatal Use

Protects the septum and nares to maintain contact between skin and cannula. Clear, see-through material allows for easier visualization of skin integrity and repositioning, if needed. Two sizes for high flow nasal cannula use to reduce worry of a seal or occlusion.



Description	Units per case	Item number
High Flow Cannulaide Clear silicone cannula securement device for infants <1250 g (0.84" x 3.00")	Box of 25	HF-101-0-25
High Flow Cannulaide Clear silicone cannula securement device for infants >1250 g (0.813" x 3.50")	Box of 25	HF-102-0-25

High Flow Cannulaide Clear securement device is not for use with non-invasive ventilation (e.g. CPAP, bubble CPAP, etc.).

Hydrocolloid Strips

Pre-cut and ready to apply, Salter Labs Hydrocolloid Strips provide a cosmetically acceptable—and extremely skin-friendly—method of securement for a variety of healthcare uses. They leave no messy adhesive residue on skin or tubing, no trauma on removal, and represent a cost-efficient, patient-friendly solution to many everyday healthcare needs.



Description	Units per case	Item number
Hydrocolloid strips, 2 per sheet	25	1217-0-25

Mini-Whiskers™ Securement Device

Ideal for premature infants less than 2000 g. A gentle securement system for nasal cannulas and feeding tubes that uses hydrocolloid material designed to provide gentle adhesion for 24 to 36 hours. Velcro strips help keep tubing in position, reduce skin friction, and allow for easy adjustments when needed.



Description	Units per case	Item number
Mini-Whiskers Securement Device exclusively for early-premature infants (<2000 g) 6 - 0.5" x 1.4" per pouch, including 12 securement loops	20 pouches per box	MW100-0-120

Sticky Whiskers™ Securement Device

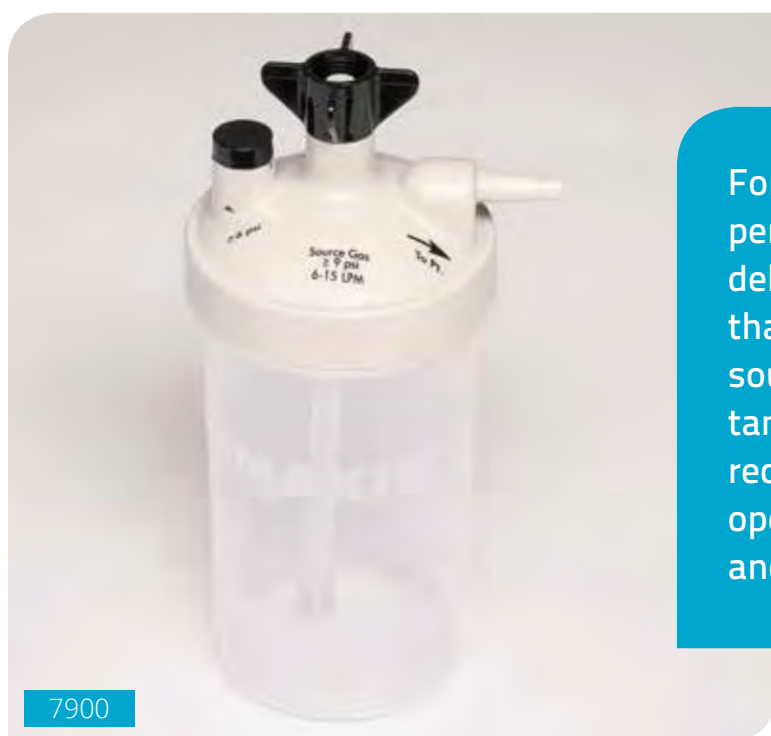
A gentle securement system for nasal cannulas and feeding tubes, appropriate for neonate to pediatric patients. Made with hydrocolloid material designed to provide gentle adhesion for 24 to 36 hours. Uses Velcro strips to help keep tubing in position, reduce skin friction, and allow for easy adjustments when needed.



Description	Units per case	Item number
Sticky Whiskers Securement Device one size fits all for infants 1 - 0.436" x 3.5" per pouch, including 2 securement loops	Box of 25	SW102-0-25

Our most popular models are indicated by **Salter Green** throughout this catalog.

HUMIDIFIERS AND WATER TRAPS



For dependable, cost-effective performance, Salter humidifiers deliver a durable, disposable product that's ideal for use with all oxygen sources: concentrators, liquid, tanks, or wall outlets. Unique 360° rectangular diffusion ports offer quiet operation with improved hydration and less system back-pressure.

Standard Bubble Humidifiers

Available with either 3 PSI or 6 PSI pop-off alarms.

Description	Units per case	Item number
350 cc bubble humidifier 3 PSI (brown lid)	50	7100-0-50
350 cc bubble humidifier 6 PSI (black lid)	50	7600-0-50

High Flow Bubble Humidifier

Ideal for use with high-output oxygen concentrators, wall outlet source gas, or other applications where flow rates of 6 to 15 LPM are required and an audible pressure relief alert is desired. Effectively pairs with Salter 1600HF and 16SOFT-HF nasal cannulas.

Description	Units per case	Item number
High Flow 350 cc bubble humidifier (2-tone, beige and black lid)	25	7900-0-25

Humidifier Convenience Kits

Each kit includes humidifier and nasal cannula for simpler ordering and patient setup.

Description	Units per case	Item number (3 PSI)	Item number (6 to 15 LPM)
Kit with 7' soft cannula	25	—	79SOFT-7-25
Kit with 7' cannula	10	—	7907-7-10
Kit with 14' soft cannula	25	—	79SOFT-14-25
Kit with 25' cannula	20	7125-25-20	—
Kit with 25' soft cannula	10	—	79SOFT-25-10

Connector Tubing for Bubble Humidifiers

Crush resistant, 3-channel design provides confidence in uninterrupted oxygen flow. Tubing remains straight when uncoiled, allowing for greater comfort and convenience for the patient.

Description	Units per case	Item number
Concentrator humidifier adapter tubing: 1' O ₂ supply line with one molded trumpet connector end and one male thread grip end	25	9996-1-25
Concentrator humidifier adapter tubing: 15" O ₂ supply line with one molded ribbed connector end and one male thread grip end	50	SO-676
Concentrator humidifier adapter tubing: 21" O ₂ supply line with one molded ribbed connector end and one male thread grip end	50	SO-1790

Salter Inline Water Traps

A cost-effective solution for your long-term oxygen therapy patients: simple, durable construction, with design features that minimize the hazard of snagging on furniture or other obstructions.



Description	Units per case	Item number
Clear body with self-sealing end cap	25	7000-0-25
Clear body with threaded end cap	25	7001-0-25

Our most popular models are indicated by **Salter Green** throughout this catalog.

SALTER OXYGEN MASKS

Salter oxygen masks offer several unique features that make them particularly useful across many situations: Salter 3-channel, crush-resistant safety tubing and secure, over-the-ear design combine for long-term durability and patient satisfaction in oxygen delivery.



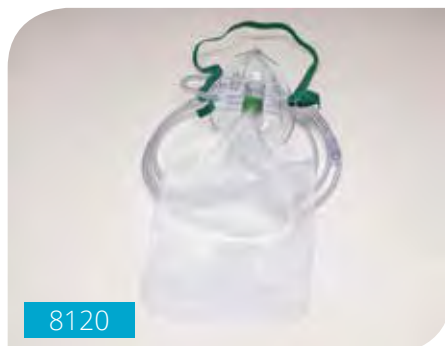
8140TLC

ADULT OXYGEN MASKS

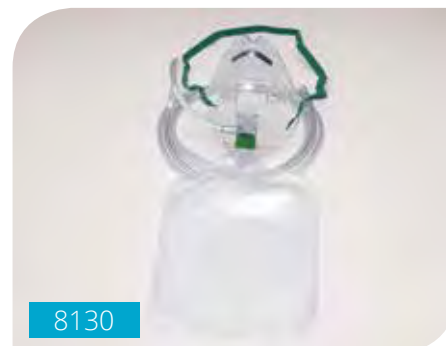
Salter masks offer 3 methods of attachment for a soft, anatomically shaped form to encourage patient use and acceptance. You'll see a difference.



8110TLC



8120



8130

Adult elongated medium concentration mask

Description	Units per case	Item number Elastic head strap style	Item number Elastic strap with TLC cushion	Item number Over-the-ear style
7' O ₂ supply line	50/25	8110-7-50	8110TLC-7-25	8005-7-50
Without O ₂ supply line	50	8115-0-50	—	8010-0-50

Elongated high-concentration partial-rebreathing mask

Description	Units per case	Item number Elastic head strap style	Item number Over-the-ear style
Adult 7' O ₂ supply line	50	8120-7-50	8020-7-50
Without O ₂ supply line	50	8125-0-50	—

Elongated high-concentration non-rebreathing mask

Description	Units per case	Item number Elastic head strap style	Item number Elastic strap with TLC cushion	Item number Over-the-ear style
7' O ₂ supply line and safety vent	50	8130-7-50	—	8030-7-50
Without O ₂ supply line and with safety vent	50	8135-0-50	—	—
7' O ₂ supply line and without safety vent	50/25	8140-7-50	8140TLC-7-25	8040-7-50
Without O ₂ supply line and without safety vent	50	8145-0-50	—	8045-0-50

Our most popular models are indicated by **Salter Green** throughout this catalog.

PEDIATRIC OXYGEN MASKS

These Salter masks feature a soft, anatomical design that younger patients will find comfortable, especially for long-term use.



Infant medium-concentration mask

Description	Units per case	Item number Elastic head strap style
7' O ₂ supply line	50	1114-7-50
Without O ₂ supply line	50	1115-0-50

Pediatric medium-concentration mask

Description	Units per case	Item number Elastic head strap style
7' O ₂ supply line	50	1122-7-50
Without O ₂ supply line	50	1123-0-50



Pediatric high-concentration partial-rebreathing mask

Description	Units per case	Item number Elastic head strap style
7' O ₂ supply line	50	1127-7-50

Pediatric high-concentration non-rebreathing mask

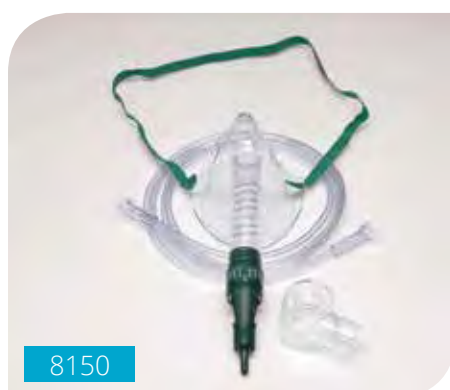
Description	Units per case	Item number Elastic head strap style
7' O ₂ supply line and safety vent	50	1130-7-50
7' O ₂ supply line and without safety vent	50	1140-7-50

OXYGEN MASKS

PERCENT-O₂-LOCK VENTURI

PERCENT-O₂-LOCK® VENTURI OXYGEN SYSTEM

These masks offer an easily adjustable, variable Venturi system delivering accurate concentrations of oxygen (24%, 26%, 28%, 31%, 35%, 40%, and 50%) from a single unit. Concentration levels are easily dialed and locked in place.



Description	Units per case	Item number Elastic head strap style	Item number Elastic strap with TLC cushion	Item number Over-the-ear style
Adult air entrainment system with humidity cup, 7' O ₂ supply line, and mask	50	8150-7-50	—	8050-7-50
Adult air entrainment system with humidity cup, 7' O₂ supply line, and mask with TLC cushion	25	—	8150TLC-7-25	—
Adult trach tee air entrainment system with humidity cup and 7' O ₂ supply line	50	8054-7-50	—	—
Adult air entrainment assembly with humidity cup (without mask or O ₂ supply line tube)	50	8056-0-50	—	—
Adult air entrainment assembly without humidity cup, mask, or O ₂ supply line	50	8057-0-50	—	—
Adult air entrainment assembly with 7' O ₂ supply line and humidity cup (without mask)	50	8058-7-50	—	—
Adult air entrainment assembly with 7' O ₂ supply line (without mask or humidity cup)	50	8059-7-50	—	—
Pediatric air entrainment assembly with humidity cup, 7' O ₂ supply line, and pediatric mask	50	8121-7-50	—	—

ACCU-FLOW® VENTURI OXYGEN SYSTEM

These masks offer 5 accurate concentrations of oxygen (24%, 28%, 31%, 35%, and 40%) with 5 individual, color-coded diluter jets. Includes a durable plastic humidity cup.

Description	Units per case	Item number
Accu-Flow® air entrainment mask system with 5 diluter jets, 7' O ₂ supply line, and humidity cup	50	1050-7-50

Accu-Flow masks only (without any tubing)

Description	Units per case	Item number
24% mask	50	1046-0-50
35% mask	50	1048-0-50
40% mask	50	1049-0-50

Diluter jets

Description	Units per case	Item number
Humidity cup only	50	1077-0-50
Complete set: Diluter jets and humidity cup	50	1078-0-50

OXYGEN CONCENTRATION INDICATOR

PRO₂ Check Elite®: A Multifunction Indicator

All-in-one

- Oxygen percent of delivered gas
- Flow rate in LPM
- Output pressure in PSIG or kPa

A small hand-held unit, which delivers all three essential validation checks required to assure proper oxygen concentrator performance.

There's no need to carry a tool box full of test equipment to measure concentrator performance or spot check LOX systems anymore. With microprocessor logic and ultrasound technology—and one simple tubing connection—you'll be ready to go! It comes complete with a carrying case and a 9-volt pre-installed battery.

No calibration required

Minimal maintenance costs

- Factory-set electronic calibration
- If calibration or verification is required to meet company or local standards, it can be performed on-site in minutes with no special equipment
- DC powered with a single standard 9-volt battery and a "low batt" warning display
- Automatic power shutoff after five minutes
- No special tools required to replace battery

The PRO₂ Check Elite® Multifunction Oxygen Concentration Indicator is a welcome addition to care providers or repair technicians working with oxygen concentrators. In one compact battery operated instrument you have the ability to readily check three vital parameters of a concentrator's function. And it can be easily calibrated to the workman altitude.

The PRO₂ Check Elite uses logic designed to simply and accurately indicate delivery flow measures. It is not affected by normal temperature or elevation changes, and a verification check can be done in 10 seconds with one button. Annual operational costs are one or possibly two 9-volt batteries, depending on usage.

The carrying case has a clear plastic face to protect the unit from spills. Switches are a new membrane style, a low-profile design with no sharp edges to get caught or inadvertently triggered. And the PRO₂ Check Elite has a 2-year warranty.

CONCENTRATOR OXYGEN INDICATORS

Description	Units per case	Item number
PRO ₂ Check Elite Multifunction Concentrator Indicator complete in carrying case with belt clip and shoulder strap, 9-volt battery, and connecting tube	1	PRO2ELITE-1
PRO ₂ Check Ultrasonic Oxygen Indicator complete in carrying case with belt clip and shoulder strap, 9-volt battery, and connecting tube	1	PRO2-1

Physical data

Dimensions: 3.60" W x 5.75" H x 1.29" D
(9.14 cm W x 14.61 cm H x 3.28 cm D)

Weight: 9 ounces (255.15 grams)

Connector: (2) 1/4" anodized aluminum hose barbs

Case: Solid color ABS plastic with threaded metal bolt channels

Response Time: 10 seconds

Warm Up Time: None required

Calibration Requirements: None

Sensor: None

Warranty: 2 years

Battery

Standard 9-volt

Operating Temperature

32°F to 105°F (0°C to 41°C)

Storage Temperature

-29°F to 160°F (-34°C to 71°C)

Specifications: Pressure Mode

Range: 0 to 25 PSIG (0 to 172 kPa)

Resolution: 0.1 PSIG (0.1 up to 99.9 kPa; 1.0 over 100 kPa)

Accuracy: ± 1% of Full Scale

Specifications: Flow Mode

Range: 0 to 10 LPM

Resolution: 0.1 LPM

Accuracy: ± .3 LPM

Sensor: Ultrasonic

Specifications: Concentration Mode

Range: 20.9% to 100%

Response time: 10 seconds

Accuracy: ± 2%

Linearity: ± 2% Full Scale



AEROSOL DELIVERY

NebuTech® Nebulisers	B2
T-Piece Nebulisers	B5
Safety™ PEP	B8
Filters	B9
Compressors	B10
Aerosol Masks	B12

NEBUTECH® NEBULISERS

NebuTech® Small Volume High Performance Nebulisers incorporate many innovative design features that help to increase the concentration of medication delivered in each patient breath, and minimise medication waste. Every breath counts when it comes to treatment-time management and patient satisfaction.

NebuTech patient-friendly add-on features provide a flexible and improved respiratory experience that is unique to each patient, and each patient environment, with unmatched ease of use. This respiratory experience:

- Covers multiple patient settings, options, and positions; for ED, acute care, ICU, EMS, and in-home therapy
- Offers optional mask, filter, and positive expiratory pressure (PEP) therapy
- Nebulises at up to a 45-degree angle to accommodate changing postures or flat horizontal position
- Spans the continuum of care
 - Paediatrics to elderly
 - Hospital to home, which helps ensure better patient compliance with treatments
- Optional filter for RT protection from exhaled medications



Disposable NebuTech Nebulisers for Acute Care and Clinic Use

Disposable NebuTech nebulisers are intended for single-patient use for up to 7 days.



Disposable NebuTech nebulisers with mouthpiece interface

7' supply tube	Thread grip connector	Filter	Units per case	Item number
✓	—	—	50	8960-7-50
✓	—	✓	50	8982-7-50
✓	✓	—	50	8960TG-7-50
—	—	—	50	8961-0-50

Disposable NebuTech nebulisers with mask interface

7' supply tube	Thread grip connector	Mask type	Units per case	Item number
✓	—	Adult	50	8984-7-50
✓	—	Paediatric	50	8967-7-50

Our most popular models are indicated by **Salter Green** throughout this catalog.

Reusable NebuTech Nebulisers With Mouthpiece Interface

Reusable NebuTech nebulisers are intended for patient use in the home environment for up to 6 months.

Reusable nebulisers with mouthpiece

7' supply tube	Thread grip connector	Filter	Units per case	Item number
✓	—	—	50	8660-7-50

Reusable Salter Safety™ PEP threshold PEP device for use with NebuTech

Description	Units per case	Item number
Safety™ PEP device and nose clip	25	1301-0-25

NebuTech accessories

Description	Units per case	Item number
Disposable NebuTech filter	25	8980-0-25
Reusable NebuTech filter	25	8680-0-25
Replacement filter pads	30	8685-0-1
Adult elongated mask without supply tube	50	8100-0-50
Paediatric aerosol mask without tube	50	1120-0-50

T-PIECE NEBULISERS

Salter nebulisers are designed for patient satisfaction and improved performance in varied healthcare settings, such as the home or hospital. Whether disposable or reusable, Salter nebulisers are easy to assemble and disassemble, nebulise faster than other T-piece nebulisers, and allow patients to be in a comfortable position for treatment.



Small Volume Jet Nebulisers

Small volume jet nebulisers provide reliable and cost-effective aerosol therapy and feature an anti-drool "T" for extended, uncontaminated use. Each kit offers ready-to-use access with various accessories:

- Supply tubing
- Reservoir tube
- T-connector
- Mouthpiece
- Paediatric mask
- Adult mask
- Thread grip connector



8900TG

T-piece nebulisers with mouthpieces for spontaneously-breathing patients

7' supply tube	Thread grip connector	Nebuliser	6" reservoir tube	Units per case	Item number
✓	—	✓	✓	50	8900-7-50
✓	✓	✓	✓	50	8900TG-7-50
—	—	✓	—	50	8901-0-50
✓	—	✓	—	50	8902-7-50
—	—	✓	—	50	8913-0-50
✓	—	✓	—	50	8911-7-50
—	—	✓	✓	50	8912-0-50

T-piece nebulisers with inline connectors for ventilated patients

7' Supply tube	6" reservoir tube	Inline T-connector Dimensions: 22 mm OD x 22 mm OD x 18 mm ID	Units per case	Item number
✓	✓	✓	50	8915-7-50

ID = Inner Diameter, OD = Outer Diameter

T-piece nebulisers with masks for spontaneously-breathing patients

7' Supply tube	Mask type	Units per case	Item number
—	Adult	50	8923-0-50
✓	Adult	50	8924-7-50
—	Paediatric	50	8905-0-50
✓	Paediatric	50	8906-7-50

T-piece nebuliser accessories

Description	Units per case	Item number
Adult elongated mask without supply tube	50	8100-0-50
Paediatric aerosol mask without supply tube	50	1120-0-50

SAFETY™ PEP

A Salter Safety™ PEP device allows you to use any Salter NebuTech jet nebuliser for simultaneous aerosol delivery and positive expiratory pressure (PEP) therapy regimens. Easy-to-read resistance setting with integrated 20 cc H₂O pop-off makes for safe and easily adjustable therapy.



1301

Description	Units per case	Item number
Safety PEP device and nose clip	25	1301-0-25
Safety PEP device and nose clip with disposable NebuTech	25	8960-PEP-7-25

FILTERS

Salter Filter Sets for NebuTech Nebulisers

These filter sets are designed to work with NebuTech mouthpieces and filter out exhaled particles.* The unit is easy to mount and install, and the reusable model is dishwasher safe (“top shelf”) and may be autoclaved or hand washed.

*Measured 99.56% of exhaled particles 0.2 micron or smaller.

Disposable filter sets—for NebuTech

Description	Units per case	Item number
Disposable NebuTech filter	25	8980-0-25
Disposable NebuTech nebuliser with mouthpiece, 7' supply tube, and filter	50	8982-7-50

Reusable filter sets—for NebuTech

Description	Units per case	Item number
Reusable NebuTech filter	25	8680-0-25
Replacement filter pads—30 per bag	1	8685-0-1

Our most popular models are indicated by **Salter Green** throughout this catalog.

COMPRESSORS

Salter AIRE Elite™ (Compressors)

These compressors are designed for efficient, quick, and convenient delivery of aerosolised medication. They're lightweight, quiet, and portable, with 2 voltage choices, and paired with either the Salter NebuTech or Salter 8900 T-Piece Small Volume Jet Nebuliser. Each unit is durable, reliable, and easy to use.

All compressor kits are packaged one unit per case.



Salter AIRE Elite—115V

Description	Nebuliser included	Item number
Compressor with T-piece nebuliser and mouthpiece	8900 T-Piece with mouthpiece, 6" reservoir, and 7' supply tubing	8350-8900-7-1
Compressor with T-piece nebuliser, mouthpiece, and carrying bag	8900 T-Piece with mouthpiece, 6" reservoir, and 7' supply tubing	8350B-8900-7-1
Compressor with nebuliser and paediatric mask	8900 T-Piece, 7' supply tubing, and paediatric mask	8350-8906-7-1
Compressor with NebuTech reusable nebuliser	NebuTech reusable nebuliser with mouthpiece and 7' supply tubing	8350-8660-7-1

Salter AIRE Elite—230V

Description	Nebuliser included	European model item number ¹	United Kingdom model item number ²
Compressor with T-piece nebuliser and mouthpiece	8900 T-Piece with mouthpiece, 6" reservoir, and 7' supply tubing	8352-8900-7-1	—
Compressor with T-piece nebuliser and adult mask	8924 nebuliser, 7' supply tubing, and adult mask	8352-8924-7-1	8353-8924-7-1
Compressor with NebuTech reusable nebuliser	NebuTech reusable nebuliser with mouthpiece and 7' supply tubing	8352-8660-7-1	—
Compressor with NebuTech disposable nebuliser and mask	NebuTech disposable nebuliser with adult mask and 7' supply tubing	8352-8984-7-1	—

Accessories for both compressor options

Compressor carrying bag	—	—	8258-0-1
Replacement air filters, 2 per package	—	—	8501-1-2

¹220V European model with CEE 7/16 ungrounded plug²220V United Kingdom model with BS 1363 ungrounded plug

AEROSOL MASKS

Salter Aerosol Therapy Masks

These masks offer 2 modes of attachment: the traditional elastic-strap style and Salter's exclusive over-the-ear style. Both are designed for secure positioning and patient comfort. Salter gives you the choice. Long-term users and edentulous patients find them both wearable, and soft, feathered edges add to their comfort.



1100

Over-the-ear style

Description	Units per case	Item number
Adult elongated mask without supply tube	50	8000-0-50

Elastic head strap style

Description	Units per case	Item number
Adult elongated mask without supply tube	50	8100-0-50
Adult extra-large mask without tube	50	1100-0-50
Adult valved, elongated mask without tube	50	8107V-0-50
Infant aerosol mask without tube	10 or 50	1113-0-10 1113-0-50
Paediatric valved, elongated mask (no connecting tube or nebuliser)	10 or 50	1107-0-10 1107-0-50
Paediatric aerosol mask without tube	50	1120-0-50

Salter Nebuliser and Valved Mask Kits

These kits combine Salter jet nebulisers with specially designed and constructed therapy masks to diminish aerosolised medication spray from the patient's face. The assembly offers an easy, secure connection between the mask and nebuliser, convenient for caregiver applications. Model options include Directional Flow Valves (VADS) or Micro Vented Ports (MVP).

Adult

Description	Units per case	Item number
8900 disposable T-Piece nebuliser and adult aerosol MVP mask with elastic headstrap and 7' supply tube	50	8927-7-50
NebuTech disposable nebuliser and adult aerosol VADS mask with elastic headstrap and 7' supply tube	50	8987-7-50

Paediatric

Description	Units per case	Item number
8900 disposable T-Piece nebuliser and paediatric aerosol VADS mask with elastic headstrap and 7' supply tube	50	8907-7-50
NebuTech disposable nebuliser and paediatric aerosol VADS mask with elastic headstrap and 7' supply tube	50	8967-7-50

Salter Aerosol Therapy Face Tents

These face tents provide an oxygen-rich and aerosol-rich environment. Clear, soft material with a behind-the-neck strap ensures a comfortable, secure fit.



Description	Units per case	Item number
Adult comfort face tent (without tubing)	50	1110-0-50
Adult comfort face tent with 42" aerosol tube	50	1111-0-50
Adult comfort face tent with 72" aerosol tube	50	1112-6-50



PAEDIATRIC AND NEONATAL SECUREMENT

High Flow Cannulaide® Securement Device	C2
CPAP Cannulaide® Securement Device.....	C4
Cannula and Tubing Securement	C6
General Purpose Securement.....	C7
Tilson Trach Guard.....	C8

HIGH FLOW CANNULAIDE® SECUREMENT DEVICE

Protect the skin, keep the leak. Designed for your tiniest babies who need high flow therapy, with a gentle touch. One system combines both securement and protection. Made with soft silicone material to avoid skin irritation and align with NICU skin care guidelines. Inspired by seeing the challenges that NICU clinicians face at the bedside.



HIGH FLOW CANNULAIDE® SECUREMENT DEVICE



High Flow Cannulaide® Securement Device for Paediatric and Neonatal Use

Protects the septum and nares to maintain contact between skin and cannula. Clear, see-through material allows for easier visualization of skin integrity and repositioning, if needed. Two sizes for high flow nasal cannula use to reduce worry of a seal or occlusion.



Description	Units per case	Item number
High Flow Cannulaide silicone cannula securement device for infants <1250 g (0.84" x 3.00")	Box of 25	HF-101-0-25
High Flow Cannulaide silicone cannula securement device for infants >1250 g (0.813" x 3.50")	Box of 25	HF-102-0-25

High Flow Cannulaide securement device is not for use with non-invasive ventilation (e.g. CPAP, bubble CPAP, etc.).

CPAP CANNULAIDE® SECUREMENT DEVICE

Protect the skin, enhance the seal. Gentle hydrocolloid material provides a unique protective barrier between the cannula and baby's delicate skin, providing a more consistent seal, while reducing the need to "upsized" prongs due to nasal leak.



CPAP CANNULAIDE® SECUREMENT DEVICE

CPAP Cannulaide® Securement Device For Paediatric and Neonatal Use

- Soft, low-profile hook and loop strips provide for easy securement and repositioning of the nasal interface
- Hook and loop system prevents the cannula from disconnecting from patient movement³
- Works well in humid conditions, even up to 24 hours of continuous use³



Description	Units per case	Item number
CPAP Cannulaide® Securement Device, size 0, for infants <700 g	Box of 25	CA100-0-25
CPAP Cannulaide® Securement Device, size 1, for infants 700-1250 g	Box of 25	CA101-0-25
CPAP Cannulaide® Securement Device, size 2, for infants 1251-2000 g	Box of 25	CA102-0-25
CPAP Cannulaide® Securement Device, size 3, for infants 2001-3000 g	Box of 25	CA103-0-25
CPAP Cannulaide® Securement Device, size 4, for infants >3000 g	Box of 25	CA104-0-25
CPAP Cannulaide® Securement Device, Variety Pack, 3 qty, size 0; 7 qty, size 1; 10 qty, size 2; 3 qty, size 3; 2 qty, size 4	Box of 25	CA110-0-1

CPAP Cannulaide® Securement Device is not for use with low- or high-flow oxygen cannulas, nCPAP masks, or endotracheal tubes.

CANNULA AND TUBING SECUREMENT

Mini-Whiskers™ Securement Device

Ideal for premature infants less than 2000 g. A gentle securement system for nasal cannulas and feeding tubes that uses hydrocolloid material designed to provide gentle adhesion for 24 to 36 hours. Velcro strips help keep tubing in position, reduce skin friction, and allow for easy adjustments when needed.



Sticky Whiskers™ Securement Device

A gentle securement system for nasal cannulas and feeding tubes, appropriate for neonate to paediatric patients. Made with hydrocolloid material designed to provide gentle adhesion for 24 to 36 hours. Uses Velcro strips to help keep tubing in position, reduce skin friction, and allow for easy adjustments when needed.



Tender Grips[®]

Useful for infants to adult patients. Soft, skin-toned acrylic material designed to hold cannula tubing in position, generally used around the patient's cheeks. An internal flap allows cannula adjustment without removing the securement from the patient's skin.



Description	Units per case	Item number
Mini-Whiskers Securement Device exclusively for early-premature infants (<2000 g) 6 - 0.5" x 1.4" per pouch, including 12 securement loops	20 pouches per box	MW100-0-120
Sticky Whiskers Securement Device one size fits all for infants 1 - 0.436" x 3.5" per pouch, including 2 securement loops	Box of 25	SW102-0-25
Tender Grips skin fixation system	25 pairs	1005-0-25
Tender Grips skin fixation system	100 pairs	1006-0-100

GENERAL PURPOSE SECUREMENT

Hydrocolloid Strips

For all patients. Pre-cut and ready to apply. Hydrocolloid material provides gentle adhesion to the skin for 24 to 36 hours. Also ideal for securing feeding tubes, EKG wires, and other loose tubing.



1217-0-25

Silicone Strips

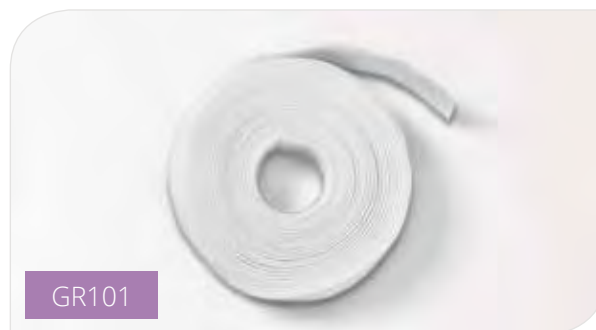
For all patients, especially premature. Made with a delicate silicone material that resists moisture and can be easily repositioned and cleanly detached from the skin without causing skin irritations. Also ideal for securing feeding tubes, EKG wires, and other loose tubing.



SS100

Grippies Fastener

A non-adhesive hook and loop tape for bundling tubing and securing it to other devices. Perfect for organising cords and tubing around a patient.



GR101

Description	Units per case	Item number
Hydrocolloid strips with 2 clear securement strips per sheet	25 sheets	1217-0-25
All-purpose, moisture resistant Silicone Strips (8 per sheet, 5.25" x 6.00")	10 sheets per box	SS100P-0-80
All-purpose, moisture resistant Silicone Strips (8 per sheet, 5.25" x 6.00"), with 10 sheets per box	20 boxes per case	SS100C-0-1600
Grippies non-toxic hook and loop fastener strip (9' roll x 0.50" wide)	5 rolls	GR101P-0-5
Grippies non-toxic hook and loop fastener strip (9' roll x 0.50" wide)	150 rolls	GR101C-0-150

Our most popular models are indicated by **Salter Green** throughout this catalog.

TILSON TRACH GUARD

Tracheostomy Tube Protection

For paediatric patients, it protects an exposed tracheal tube from accidental occlusion by helping to prevent blockage of the airway from bedding, dressings, clothing, or chubby baby chins. Fits securely to standard 15 mm tube connectors, with a large central hole that allows for ample suctioning. Bright blue for easy identification.



Description

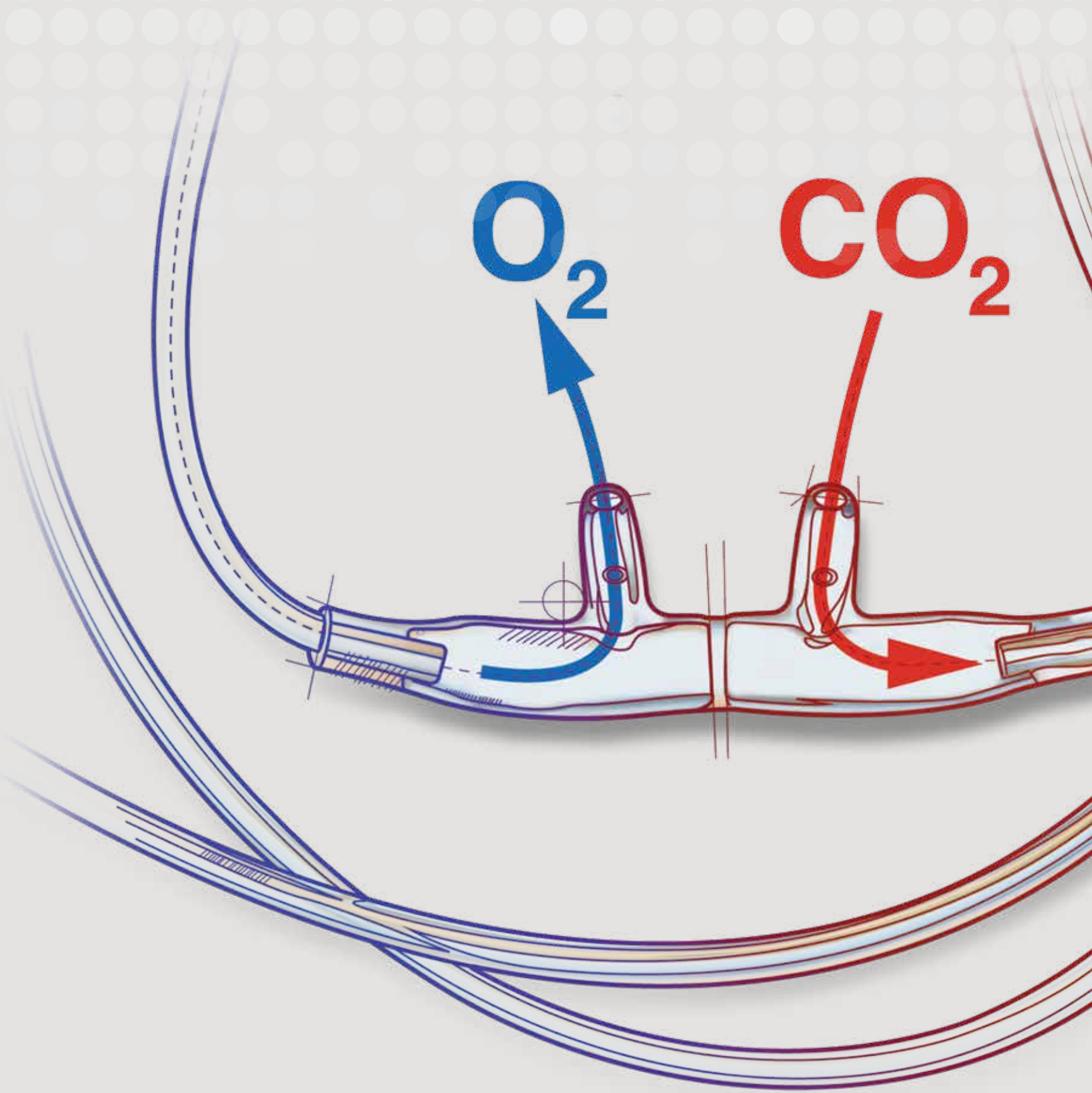
Units

Item number

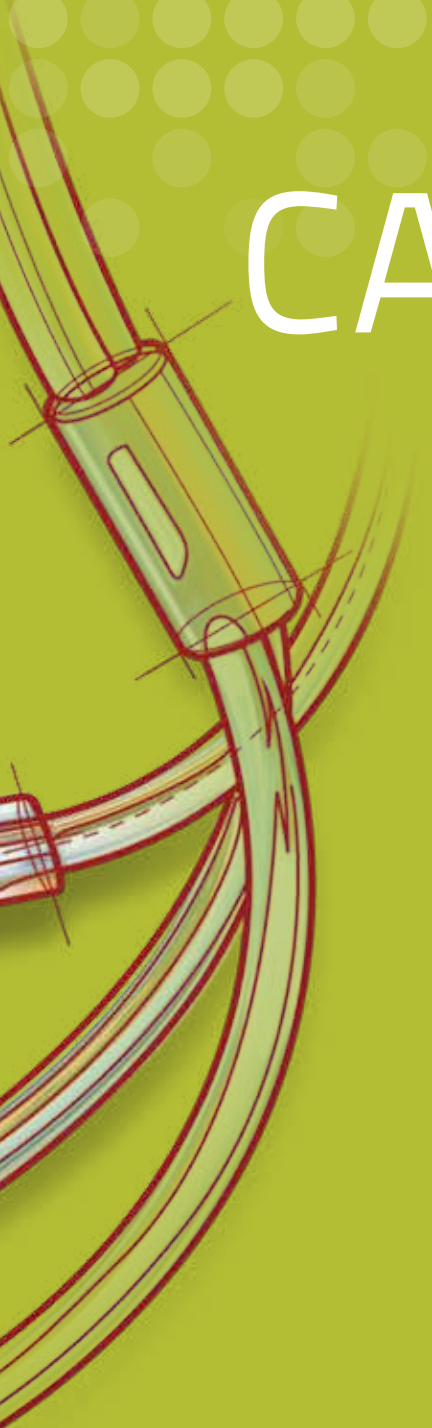
Tilson Trach Guard

25 per box

TP100-0-25



CAPNOGRAPHY (EtCO₂)



Divided With O ₂ Delivery	D2
Sampling Without O ₂ Delivery	D8
Piggyback Sampling Cannula With O ₂ Delivery	D10
EtCO ₂ Sampling Lines	D11

DIVIDED CAPNOGRAPHY CANNULAS WITH O₂ DELIVERY



Accurate monitoring of spontaneous-breathing patients for end-tidal CO₂ and other exhaled gases can be challenging. One reason is that supplemental oxygen, delivered by mask or cannula, tends to dilute end-tidal gases and distort waveforms. But Salter's special capnography sampling cannulas permit an undiluted sample, even with simultaneous insufflation of oxygen or gaseous analgesia. This results in a waveform similar to that obtained with an intubated patient.

Divided Capnography Cannulas With Simultaneous Oxygen Delivery

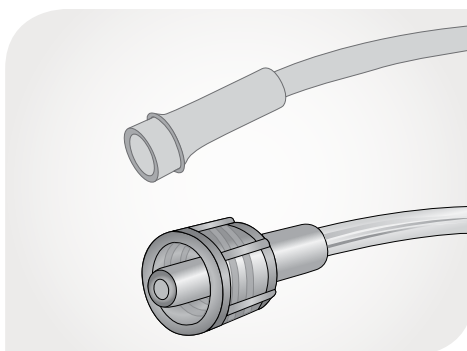
Salter design accommodates end-tidal sampling from one nare and oxygen or gaseous analgesia delivery to the other, and does not interfere with patient observation.

Salter capnography cannulas are available with multiple configurations compatible with a variety of capnography monitors and/or room configurations.

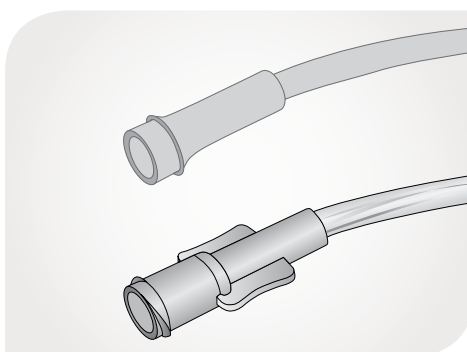
Connection type

Salter capnography cannulas are available for monitors with Luer-Lok® connectors:

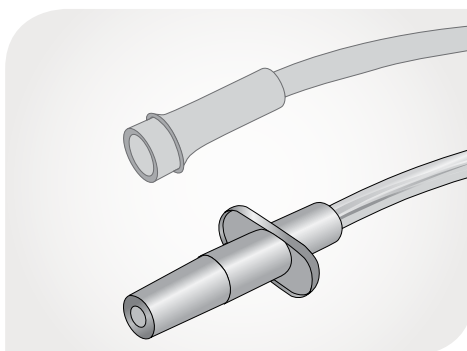
Male Luer-Lok connectors



Female Luer-Lok connectors



Male Luer-Slip connectors



Oral sampling

Salter capnography cannulas are available with an Oral-Trac® oral sampling line to enable sampling from mouth-breathing patients.



CO₂ filtration

Salter capnography cannulas are available with inline filtration to protect monitoring equipment from moisture.



Tubing securement

Salter capnography cannulas are available with two Tender Grip® skin-fixation pads to secure tubing away from the operating site for ophthalmic, oral maxillofacial, or other procedures.



Adult cannulas for monitors requiring male Luer-Lok® connectors

Oxygen delivery line length	Capnography sampling line length	Filter	Units per case	Item number
Standard divided cannulas				
7' O ₂ supply line	2" CO₂ pigtail	No	25	4706-7-0-25
	2' CO ₂ line	Yes	25	4708-7-2-25
	7' CO₂ line	No	25	4707-7-7-25
10' O ₂ supply line	10' CO ₂ line	Yes	25	4707SP-7-7-25
10' O ₂ supply line	10' CO ₂ line	No	25	4707-10-10-25
13' O ₂ supply line	13' CO₂ line	No	25	4707-13-13-25
Divided cannulas with oral sampling				
7' O ₂ supply line	2" CO ₂ pigtail	No	25	4796-7-0-25
	7' CO ₂ line	No	25	4797-7-7-25
		Yes	25	4797SP-7-7-25
Divided cannula with Tender Grip pads				
7' O ₂ supply line	7' CO ₂ line	No	25	T4707-7-7-25

CAPNOGRAPHY (EtCO₂)DIVIDED WITH O₂ DELIVERY

Adult cannulas for monitors requiring female Luer-Lok connectors

Oxygen delivery line length	Capnography sampling line length	Filter	Units per case	Item number
Standard divided cannulas				
7' O ₂ supply line	2" CO ₂ pigtail	No	25	4706F-7-0-25
	7' CO ₂ line	No	25	4707F-7-7-25
14' O ₂ supply line	14' CO ₂ line	No	25	4707F-14-14-25
Divided cannulas with oral sampling				
7' O ₂ supply line	2" CO ₂ pigtail	No	25	4796F-7-0-25
	7' CO ₂ line	No	25	4797F-7-7-25
Divided cannulas with Tender Grip pads				
7' O ₂ supply line	2" CO ₂ pigtail	No	25	T4706F-7-7-25
7' O ₂ supply line	7' CO ₂ line	No	25	T4707F-7-7-25

Our most popular models are indicated by **Salter Green** throughout this catalog.



4707

Adult cannulas for monitors requiring male Luer-Slip connectors

Oxygen delivery line length	Capnography sampling line length	Filter	Units per case	Item number
Standard divided cannula				
7' O ₂ supply line	2' CO ₂ line	Yes	25	4787-7-2-25

Paediatric cannulas for monitors requiring male Luer-Lok connectors

Oxygen delivery line length	Capnography sampling line length	Cannula type	Units per case	Item number
Standard divided cannulas				
7' O₂ supply line	2" CO₂ pigtail	Infant	25	4701-7-0-25
		Intermediate infant	25	4705-7-0-25
		Paediatric	25	4702-7-0-25
	7' CO₂ line	Infant	25	4700-7-7-25
		Intermediate infant	25	4704-7-7-25
		Paediatric	25	4703-7-7-25
Oral Sampling				
7' O ₂ supply line	7' CO ₂ line	Paediatric	25	4793-7-7-25

CAPNOGRAPHY (EtCO₂)DIVIDED WITH O₂ DELIVERY

Infant and paediatric cannulas for monitors requiring female Luer-Lok connectors

Oxygen delivery line length	Capnography sampling line length	Cannula type	Units per case	Item number
Standard divided cannulas				
7' O₂ supply line	2" CO₂ pigtail	Infant	25	4701F-7-0-25
		Intermediate infant	25	4705F-7-0-25
		Paediatric	25	4702F-7-0-25
	7' CO ₂ line	Infant	25	4700F-7-7-25
		Intermediate infant	25	4704F-7-7-25
7' O ₂ supply line	7' CO ₂ line	Paediatric	25	4703F-7-7-25
Divided cannula with oral sampling				
7' O ₂ supply line	7' CO ₂ line	Paediatric	25	4793F-7-7-25

Paediatric cannula for monitors requiring male Luer-Slip connectors

Oxygen delivery line length	Capnography sampling line length	Cannula type	Units per case	Item number
Standard divided cannula				
7' O ₂ supply line	2' CO ₂ line	Paediatric	25	4783-7-2-25

Capnography cannula accessories

Description	Units per case	Item number
Anesthesia circuit oxygen adapter, 22 mm ID x 6 mm OD	25	1020-0-25

CAPNOGRAPHY SAMPLING CANNULAS WITHOUT OXYGEN DELIVERY

For CO₂ sampling during spontaneous breathing. Available in adult and paediatric sizes, with connector variations.

Adult cannulas for monitors requiring male Luer-Lok connectors

Capnography sampling line length	Filter	Units per case	Item number
7' CO₂ line	No	25	4000-7-25
7' CO ₂ line	Yes	25	4007-7-25

Adult cannulas for monitors requiring female Luer-Lok connectors

Capnography sampling line length	Filter	Units per case	Item number
7' CO₂ line	No	25	4000F-7-25

Adult cannulas for monitors requiring male Luer-Slip connectors

Capnography sampling line length	Filter	Units per case	Item number
2' CO ₂ line	No	25	4008-2-25

Infant and paediatric cannulas for monitors requiring male Luer-Lok connectors

Capnography sampling line length	Cannula type	Units per case	Item number
7' CO₂ line	Infant	25	4200-7-25
	Intermediate infant	25	4300-7-25
	Paediatric	25	4100-7-25

Infant and paediatric cannulas for monitors requiring female Luer-Lok connectors

Capnography sampling line length	Cannula type	Units per case	Item number
7' CO₂ line	Infant	25	4200F-7-25
	Intermediate infant	25	4300F-7-25
	Paediatric	25	4100F-7-25

Infant cannula for monitors requiring male Luer-Slip connectors

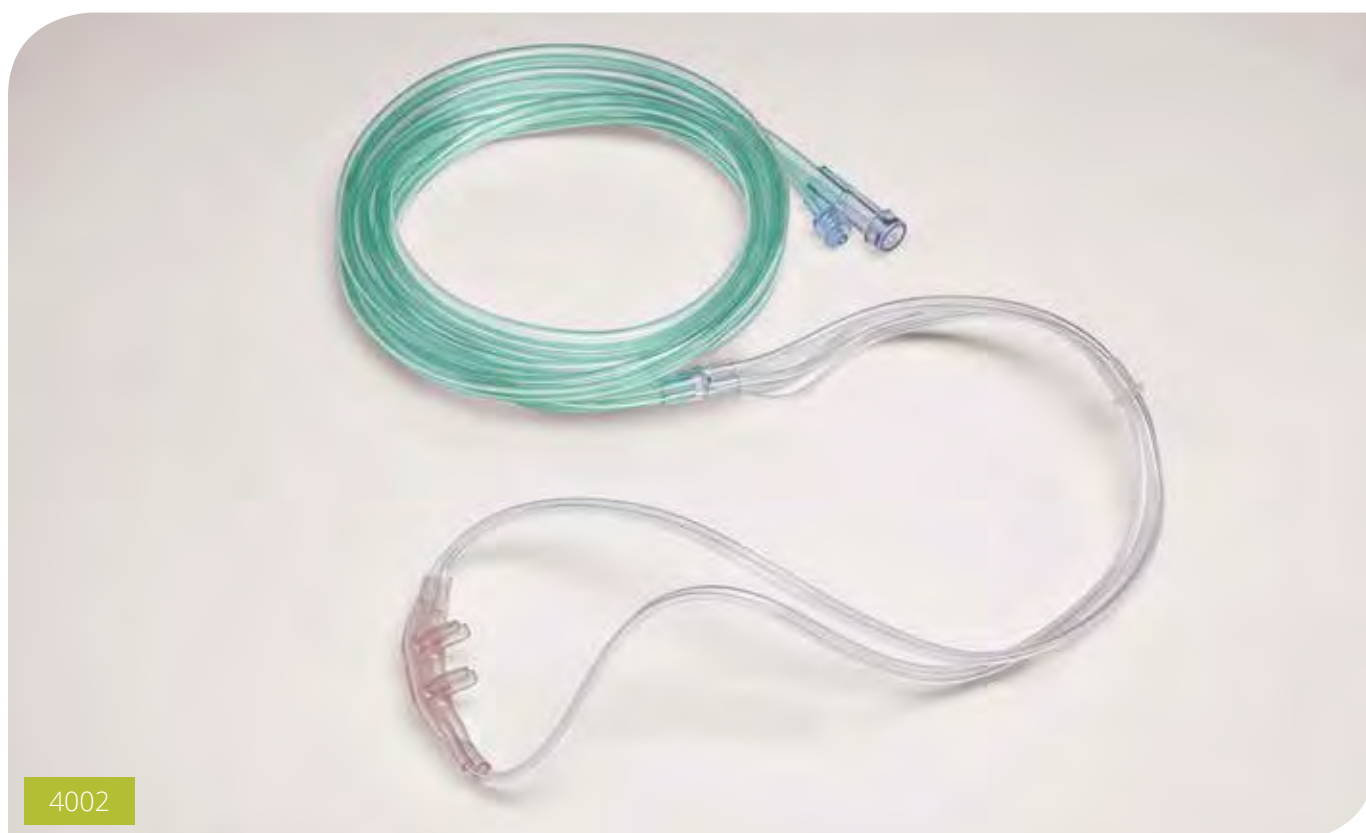
Capnography sampling line length	Cannula type	Units per case	Item number
2' CO ₂ line	Infant	25	4208-2-25

Capnography cannula accessories

Description	Units per case	Item number
Anesthesia circuit oxygen adapter, 22 mm ID x 6 mm OD	25	1020-0-25

PIGGYBACK CAPNOGRAPHY SAMPLING CANNULAS WITH OXYGEN DELIVERY

Piggyback design provides cost-effective simultaneous oxygen delivery and EtCO₂ sampling.



4002

Cannulas for monitors requiring male Luer-Lok connectors

Oxygen delivery line length	Capnography sampling line length	Filter	Units per case	Item number
Adult piggyback cannula				
7' O₂ supply line	7' CO₂ line	No	25	4002-7-7-25
10' O₂ supply line	10' CO₂ line	No	25	4002-10-10-25
14' O₂ supply line	14' CO₂ line	No	25	4002-14-14-25
Paediatric piggyback cannula				
7' O ₂ supply line	7' CO ₂ line	No	25	4102-7-7-25

Cannulas for monitors requiring female Luer-Lok connectors

Oxygen delivery line length	Capnography sampling line length	Filter	Units per case	Item number
Adult piggyback cannula				
7' O₂ supply line	7' CO₂ line	No	25	4002F-7-7-25
Paediatric piggyback cannula				
7' O ₂ supply line	7' CO ₂ line	No	25	4102F-7-7-25
7' O ₂ supply line	2" pigtail	No	25	4102F-7-0-25
10' O ₂ supply line	10' CO ₂ line	No	25	4102F-10-10-25
14' O ₂ supply line	14' CO ₂ line	No	25	4102F-14-14-25

EtCO₂ SAMPLING LINES

Salter gives you the opportunity to increase the length of the CO₂ line for increased adaptability in your chosen environment; internal diameter: .055 ± .005.

Connectors	Sampling line length	Units per case	Item number
Male to female	7' CO ₂ sampling	25	4407-7-25
	10' CO ₂ sampling	25	4410-10-25
	15' CO ₂ sampling	25	4415-15-25
	30' CO ₂ sampling	25	4430-30-25
Male to male	7' CO₂ sampling	25	4507-7-25
	10' CO₂ sampling	25	4510-10-25
	15' CO ₂ sampling	25	4515-15-25
	30' CO ₂ sampling	25	4530-30-25
Female to female	7' CO ₂ sampling	25	4607-7-25

Our most popular models are indicated by **Salter Green** throughout this catalog.

EtCO₂ Gas Sampling Lines for Former Zefon Customers

PVC lines suitable for CO₂ monitoring.

Connectors	Tubing ID	Filters and Dryer Attachments	Product Number	
			8' (2.44 m) Length	10' (3.05 m) Length
Male/Male Luer Lock	.050 (1.27 mm)		ZML-9330	ZML-9530
		5.0 micron filter	ZML-9331	ZML-9531
		6" (15.2 cm) Nafion® dryer	ZML-9332	ZML-9532
		12" (30.5 cm) Nafion® dryer	ZML-9333	ZML-9533
		5.0 micron filter and 6" (15.2 cm) Nafion® dryer	ZML-9335	ZML-9535
		5.0 micron filter and 12" (30.5 cm) Nafion® dryer	ZML-9336	ZML-9536
Male/Female Luer Lock	.050 (1.27 mm)		ZML-9430	ZML-9630
		5.0 micron filter	ZML-9431	ZML-9631
		6" (15.2 cm) Nafion® dryer	ZML-9432	ZML-9632
		12" (30.5 cm) Nafion® dryer	ZML-9433	ZML-9633
		5.0 micron filter and 6" (15.2 cm) Nafion® dryer	ZML-9435	ZML-9635
		5.0 micron filter and 12" (30.5 cm) Nafion® dryer	ZML-9436	ZML-9636
Male/Male Luer Lock	.060 (1.5 mm)		ZML-9320	ZML-9520
		5.0 micron filter	ZML-9321	ZML-9521
		6" (15.2 cm) Nafion® dryer	ZML-9322	ZML-9522
		12" (30.5 cm) Nafion® dryer	ZML-9323	ZML-9523
		5.0 micron filter and 6" (15.2 cm) Nafion® dryer	ZML-9325	ZML-9525
		5.0 micron filter and 12" (30.5 cm) Nafion® dryer	ZML-9326	ZML-9526
Male/Female Luer Lock	.060 (1.5 mm)		ZML-9420	ZML-9620
		5.0 micron filter	ZML-9421	ZML-9621
		6" (15.2 cm) Nafion® dryer	ZML-9422	ZML-9622
		12" (30.5 cm) Nafion® dryer	ZML-9423	ZML-9623
		5.0 micron filter and 6" (15.2 cm) Nafion® dryer	ZML-9425	ZML-9625
		5.0 micron filter and 12" (30.5 cm) Nafion® dryer	ZML-9426	ZML-9626

All Zefon Gas Sampling Lines come individually packaged with 50 units per box.



Anesthetic Gas Monitoring Lines

Co-extruded Polyethylene/PVC lines with an inner layer of polyethylene. Suitable for monitoring anesthetic gases.

Connectors	Tubing ID	Filters and Dryer Attachments	Product Number	
			8' (2.44 m) Length	10' (3.05 m) Length
Male/Male Luer Lock	.047" (1.2 mm)		ZML-9340	ZML-9540
		5.0 micron filter	ZML-9341	ZML-9541
		6" (15.2 cm) Nafion® dryer	ZML-9342	ZML-9542
		12" (30.5 cm) Nafion® dryer	ZML-9343	ZML-9543
		5.0 micron filter and 6" (15.2 cm) Nafion® dryer	ZML-9345	ZML-9545
		5.0 micron filter and 12" (30.5 cm) Nafion® dryer	ZML-9346	ZML-9546
Male/Female Luer Lock	.047" (1.2 mm)		ZML-9440	ZML-9640
		5.0 micron filter	ZML-9441	ZML-9641
		6" (15.2 cm) Nafion® dryer	ZML-9442	ZML-9642
		12" (30.5 cm) Nafion® dryer	ZML-9443	ZML-9643
		5.0 micron filter and 6" (15.2 cm) Nafion® dryer	ZML-9445	ZML-9645
		5.0 micron filter and 12" (30.5 cm) Nafion® dryer	ZML-9446	ZML-9646

All Zefon Gas Sampling Lines come individually packaged with 50 units per box.

Our most popular models are indicated by **Salter Green** throughout this catalog.



PRODUCT INDEX BY ITEM NUMBER

Item number	Page number
1005-0-25	A18, A24, C6
1006-0-100	A5, A7, A18, A24, C6
1020-0-25	D7, D9
1046-0-50	A33
1048-0-50	A33
1049-0-50	A33
1050-7-50	A33
1053-7-50	A11
1056-7-50	A11
1057-0-50	A11
1063-16-50	A11
1068-16-50	A11
1077-0-50	A33
1078-0-50	A33
1100-0-50	B13
1107-0-10	B13
1107-0-50	B13
1110-0-50	B15
1111-0-50	B15
1112-6-50	B15
1113-0-10	B13
1113-0-50	B13
1114-7-50	A30
1115-0-50	A30
1120-0-50	B4, B7, B13
1122-7-50	A30
1123-0-50	A30
1127-7-50	A31
1130-7-50	A31
1140-7-50	A31
1215-0-50	A22
1217-0-25	A25, C7
1220-0-25	A5, A22
1220-0-100	A7, A18, A22
1221-0-25	A22
1222-0-25	A22
1225-0-25	A22
1301-0-25	B4, B8
1600-1-50	A6
1600-4-50	A6
1600-7-50	A6

Item number	Page number
1600-9-50	A6
1600-10-50	A6
1600-12-50	A6
1600-13-50	A6
1600-14-50	A6
1600-15-50	A6
1600-16-50	A6
1600-20-25	A6
1600-21-25	A6
1600-24-25	A6
1600-25-25	A6
1600-30-20	A6
1600-35-20	A6
1600-40-20	A6
1600-50-20	A6
1600HF-4-25	A10
1600HF-7-25	A10
1600HF-14-25	A10
1600HF-25-10	A10
1600HF-50-10	A10
1600Q-4-50	A15
1600Q-7-50	A15
1600QTLC-7-25	A13
1600TLC-1-25	A13
1600TLC-4-25	A7, A13
1600TLC-7-25	A7, A13
1600TLC-14-25	A13
1600TLC-15-25	A13
1600TLC-21-25	A13
1600TLC-25-25	A13
1601-4-50	A17
1601-7-50	A17
1601Q-7-50	A18
1602-4-50	A17
1602-7-50	A17
1602TG-7-50	A17
1602TLC-7-25	A18
1606-0-50	A6
1606B-0-50	A6
1606Q-0-50	A15
1606TLC-0-25	A13

Item number	Page number
1610-7-50	A17
1611-7-50	A17
1615-7-50	A17
1616-1-50	A14
1616-4-50	A14
1616-7-50	A14
1616TLC-7-25	A13
1650-4-50	A8
1650-7-50	A8
1650-10-50	A8
1650-14-50	A8
1650-25-25	A8
1650-50-20	A8
1662-0-50	A17
1699-7-50	A6
1699TLC-7-25	A13
16SOFT-0-50	A5
16SOFT-2-50	A5
16SOFT-4-50	A5
16SOFT-7-50	A5
16SOFT-14-50	A5
16SOFT-25-25	A5
16SOFT-HF-7-25	A5, A10
16SOFT-HF-14-25	A5
16SOFT-HF-25-10	A5
2002-7-50	A20
2002G-7-50	A20
2004-4-50	A20
2005-0-50	A22
2009-9-50	A20
2010-10-50	A20
2010G-10-50	A20
2014-14-50	A20
2014G-14-50	A20
2015-15-50	A20
2015G-15-50	A20
2020-20-25	A20
2020G-20-25	A20
2021-21-25	A20
2021G-21-25	A20
2025-25-25	A20

Item number	Page number
2025G-25-25	A5, A7, A18, A20
2030-30-20	A20
2035-35-20	A20
2035G-35-20	A20
2040-40-20	A20
2040G-40-20	A20
2050-50-20	A20
2050G-50-20	A7, A18, A20
2099-7-50	A21
2100-100-10	A20
2503-7-50	A20
2509-9-50	A20
2514-14-50	A20
2521-21-25	A20
2525-25-25	A20
2530-30-20	A20
2540-40-20	A20
2550-50-20	A20
4000-7-25	D8
4000F-7-25	D8
4002-7-7-25	D10
4002-10-10-25	D10
4002-14-14-25	D10
4002F-7-7-25	D11
4007-7-25	D8
4008-2-25	D8
4100-7-25	D9
4100F-7-25	D9
4102-7-7-25	D10
4102F-7-0-25	D11
4102F-7-7-25	D11
4102F-10-10-25	D11
4102F-14-14-25	D11
4200-7-25	D9
4200F-7-25	D9
4208-2-25	D9
4300-7-25	D9
4300F-7-25	D9
4407-7-25	D11
4410-10-25	D11
4415-15-25	D11

Item number	Page number
4430-30-25	D11
4507-7-25	D11
4510-10-25	D11
4515-15-25	D11
4530-30-25	D11
4607-7-25	D11
4700-7-7-25	D6
4700F-7-7-25	D7
4701-7-0-25	D6
4701F-7-0-25	D7
4702-7-0-25	D6
4702F-7-0-25	D7
4703-7-7-25	D6
4703F-7-7-25	D7
4704-7-7-25	D6
4704F-7-7-25	D7
4705-7-0-25	D6
4705F-7-0-25	D7
4706-7-0-25	D4
4706F-7-0-25	D5
4707-7-7-25	D4
4707-10-10-25	D4
4707-13-13-25	D4
4707F-7-7-25	D5
4707F-14-14-25	D5
4707SP-7-7-25	D4
4708-7-2-25	D4
4783-7-2-25	D7
4787-7-2-25	D6
4793-7-7-25	D6
4793F-7-7-25	D7
4796-7-0-25	D4
4796F-7-0-25	D5
4797-7-7-25	D4
4797F-7-7-25	D5
4797SP-7-7-25	D4
4804-4-4-25	A9
4804TLC-4-4-25	A13
4805-5-5-25	A9
4807-7-7-25	A9
4807TLC-7-7-25	A13

Item number	Page number
4824-4-4-25	A18
4827-7-7-25	A18
4904-4-4-25	A9
4905-5-5-25	A9
4907-7-7-25	A9
7000-0-25	A27
7001-0-25	A27
7100-0-50	A26
7125-25-20	A27
7600-0-50	A26
7900-0-25	A10, A26
7907-7-10	A27
79SOFT-7-25	A10, A27
79SOFT-14-25	A27
79SOFT-25-10	A27
8000-0-50	B13
8005-7-50	A29
8010-0-50	A29
8020-7-50	A29
8030-7-50	A29
8040-7-50	A29
8045-0-50	A29
8050-7-50	A32
8054-7-50	A32
8056-0-50	A32
8057-0-50	A32
8058-7-50	A32
8059-7-50	A32
8100-0-50	B4, B7, B13
8107V-0-50	B13
8110-7-50	A29
8110TLC-7-25	A29
8115-0-50	A29
8120-7-50	A29
8121-7-50	A32
8125-0-50	A29
8130-7-50	A29
8135-0-50	A29
8140-7-50	A29
8140TLC-7-25	A29
8145-0-50	A29

Item number	Page number
8150-7-50	A32
8150TLC-7-25	A32
8258-0-1	B11
8350-8660-7-1	B10
8350-8900-7-1	B10
8350-8906-7-1	B10
8350B-8900-7-1	B10
8352-8660-7-1	B11
8352-8900-7-1	B11
8352-8924-7-1	B11
8352-8984-7-1	B11
8353-8924-7-1	B11
8501-1-2	B11
8660-7-50	B4
8680-0-25	B4, B9
8685-0-1	B4, B9
8900-7-50	B6
8900TG-7-50	B6
8901-0-50	B6
8902-7-50	B6
8905-0-50	B7
8906-7-50	B7
8907-7-50	B14
8911-7-50	B6
8912-0-50	B6
8913-0-50	B6
8915-7-50	B7
8923-0-50	B7
8924-7-50	B7
8927-7-50	B14
8960-7-50	B3
8960-PEP-7-25	B8
8960TG-7-50	B3
8961-0-50	B3
8967-7-50	B3, B14
8980-0-25	B4, B9
8982-7-50	B3, B9
8984-7-50	B3
8987-7-50	B14
9996-1-25	A27
9997-7-50	A21

Item number	Page number
9999-7-50	A21
CA100-0-25	C5
CA101-0-25	C5
CA102-0-25	C5
CA103-0-25	C5
CA104-0-25	C5
CA110-0-1	C5
GR101C-0-150	C7
GR101P-0-5	C7
HF-101-0-25	A24, C3
HF-102-0-25	A24, C3
MW100-0-120	A18, A25, C6
PRO2-1	A35
PRO2ELITE-1	A35
SO-676	A27
SO-1790	A27
SS100C-0-1600	C7
SS100P-0-80	C7
SW102-0-25	A18, A25, C6
T4706F-7-7-25	D5
T4707-7-7-25	D4
T4707F-7-7-25	D5
TP100-0-25	C8
ZML-9320	D12
ZML-9321	D12
ZML-9322	D12
ZML-9323	D12
ZML-9325	D12
ZML-9326	D12
ZML-9330	D12
ZML-9331	D12
ZML-9332	D12
ZML-9333	D12
ZML-9335	D12
ZML-9336	D12
ZML-9340	D13
ZML-9341	D13
ZML-9342	D13
ZML-9343	D13
ZML-9345	D13
ZML-9346	D13

Item number	Page number
ZML-9420	D12
ZML-9421	D12
ZML-9422	D12
ZML-9423	D12
ZML-9425	D12
ZML-9426	D12
ZML-9430	D12
ZML-9431	D12
ZML-9432	D12
ZML-9433	D12
ZML-9435	D12
ZML-9436	D12
ZML-9440	D13
ZML-9441	D13
ZML-9442	D13
ZML-9443	D13
ZML-9445	D13
ZML-9446	D13
ZML-9520	D12
ZML-9521	D12
ZML-9522	D12
ZML-9523	D12
ZML-9525	D12
ZML-9526	D12
ZML-9530	D12
ZML-9531	D12
ZML-9532	D12
ZML-9533	D12
ZML-9535	D12
ZML-9536	D12
ZML-9540	D13
ZML-9541	D13
ZML-9542	D13
ZML-9543	D13
ZML-9545	D13
ZML-9546	D13
ZML-9620	D12
ZML-9621	D12
ZML-9622	D12
ZML-9623	D12
ZML-9625	D12

Item number	Page number
ZML-9626	D12
ZML-9630	D12
ZML-9631	D12
ZML-9632	D12
ZML-9633	D12
ZML-9635	D12
ZML-9636	D12
ZML-9640	D13
ZML-9641	D13
ZML-9642	D13
ZML-9643	D13
ZML-9645	D13
ZML-9646	D13



Notes:

Lined area for notes with horizontal ruling lines.

DISTINCT PRODUCTS EXPERIENCES THAT MATTER

 **SALTER LABS®**
DESIGN INNOVATIONS
FOR RESPIRATORY CARE

For more information or to place an order call:

PHONE: +1 661-854-3166

FAX: +1 661-854-3850

email: customercare@salterlabs.com

salterlabs.com